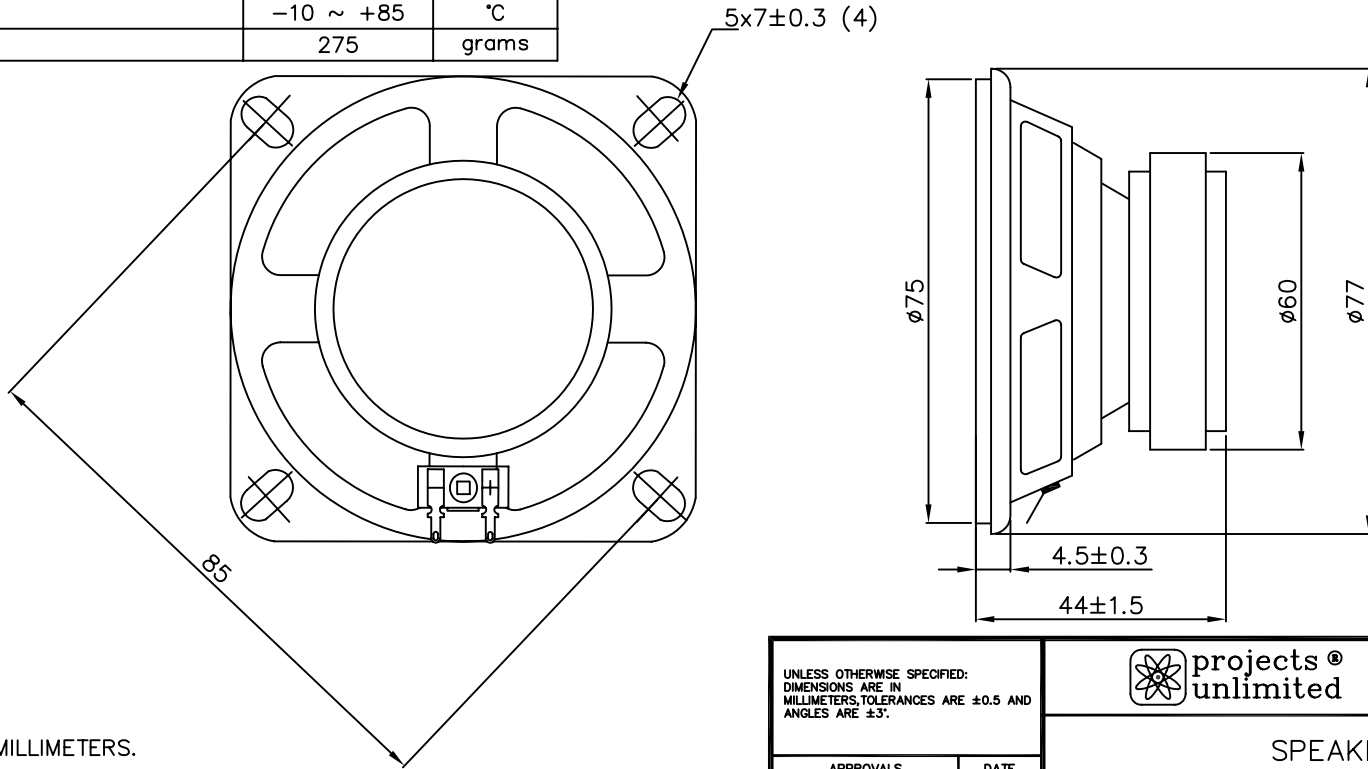


THIS DOCUMENT CONTAINS DATA PROPRIETARY TO PROJECTS UNLIMITED, INC. ANY USE OR REPRODUCTION, IN ANY FORM, WITHOUT PRIOR WRITTEN PERMISSION OF PROJECTS UNLIMITED, INC. IS PROHIBITED.  
© 2003, Projects Unlimited Inc.

### SPECIFICATIONS

PARAMETERS	VALUES	UNITS
RATED INPUT POWER	10	W
MAX INPUT POWER	15	W
IMPEDANCE	8±15%	OHM
OUTPUT SPL @ 1W/1M (AT 0.8, 1, 1.2, 1.5 KHz)	88±3	dBA
DISTORTION	7%	-
RESONANT FREQUENCY	120±20%	Hz
FREQUENCY RANGE	120 ~ 17,000	Hz
HOUSING MATERIAL	METAL	-
CONE MATERIAL	PAPER	-
MAGNET MATERIAL	FERRITE	-
OPERATING TEMPERATURE	-10 ~ +85	°C
WEIGHT	275	grams


REVISIONS			
LTR	DESCRIPTION	DATE	APPROVED
-	RELEASED FROM ENGINEERING	3/31/06	



**NOTES:**

1. ALL DIMENSIONS ARE IN MILLIMETERS.
2. SPECIFICATION SUBJECT TO CHANGE OR WITHDRAWAL WITHOUT NOTICE.
3. THIS PART IS RoHS 2002/95/EC COMPLIANT.

FILE NAME  
AS07708PS-3-R.DWG

UNLESS OTHERWISE SPECIFIED: DIMENSIONS ARE IN MILLIMETERS, TOLERANCES ARE ±0.5 AND ANGLES ARE ±3°.		 <b>projects® unlimited</b> Dayton, Ohio									
<table border="1"> <thead> <tr> <th>APPROVALS</th> <th>DATE</th> </tr> </thead> <tbody> <tr> <td>DRAWN <i>B.R.</i></td> <td>3/06</td> </tr> <tr> <td>CHECKED <i>B.R.</i></td> <td>3/06</td> </tr> <tr> <td>APPROVED <i>E.P.</i></td> <td>3/06</td> </tr> </tbody> </table>		APPROVALS	DATE	DRAWN <i>B.R.</i>	3/06	CHECKED <i>B.R.</i>	3/06	APPROVED <i>E.P.</i>	3/06	<p align="center"><b>SPEAKER</b> AS07708PS-3-R</p>	
APPROVALS	DATE										
DRAWN <i>B.R.</i>	3/06										
CHECKED <i>B.R.</i>	3/06										
APPROVED <i>E.P.</i>	3/06										
<table border="1"> <tr> <td>SIZE A</td> <td>DRAWING NO. AS07708PS-3-R</td> </tr> </table>		SIZE A	DRAWING NO. AS07708PS-3-R	<p align="right">SHEET 1 OF 1</p>							
SIZE A	DRAWING NO. AS07708PS-3-R										
DO NOT SCALE DRAWING		SCALE: N.T.S.									